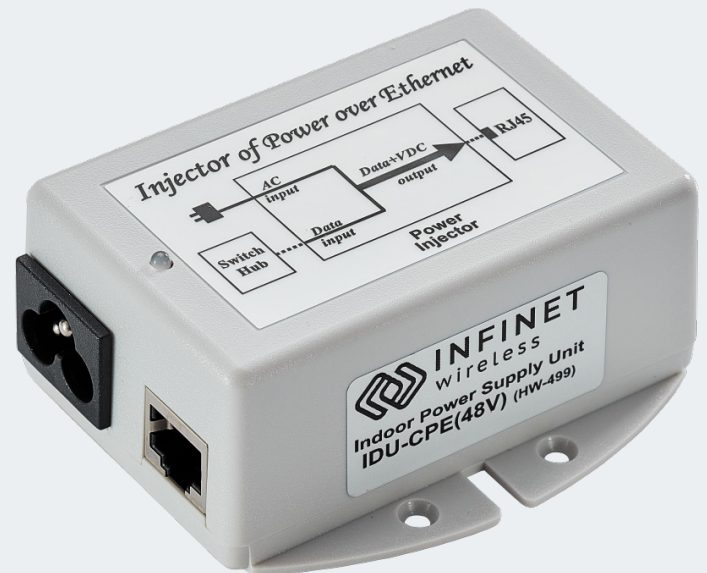



**IDU-CPE** is an indoor AC/DC PoE injector. It is designed only for R5000-Smn, R5000-Lmn and AUX-ODU-SYNC synchronization hub and has built-in lightning protection.


**IDU-CPE** is powered by an AC supply in the 100-240 V range. Built-in lightning protection protects units connected to injector.



## Key Features

 Compatible with R5000-Smn, R5000-Lmn, AUX-ODU-SYNC

 Fast Ethernet pass-through

 Operating temperature range: from 0°C to +40°C

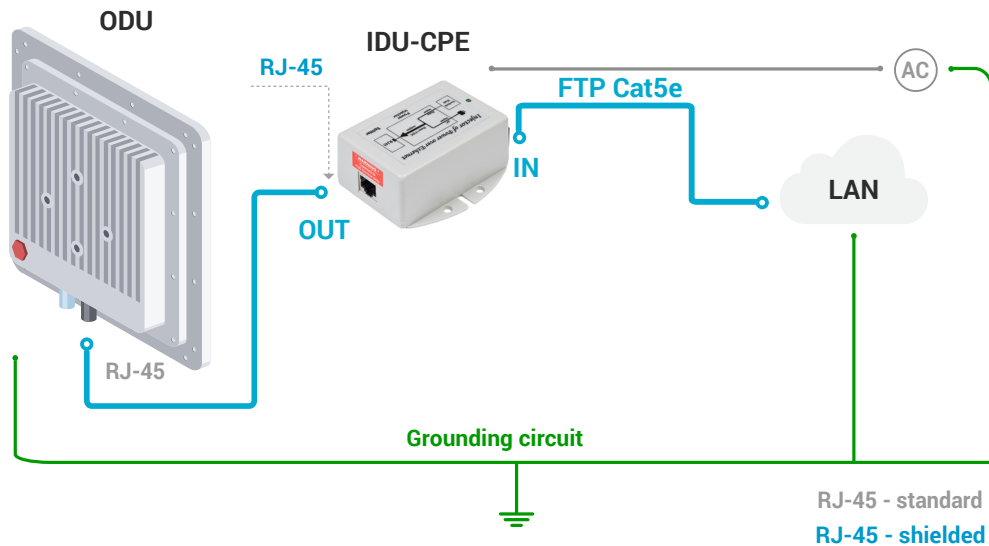
 AC power source

 Input voltage: 100 - 240 V

 Output voltage: +48 V

 Consumption: 24 W

## Recommended Installation Layout



## Specification

Parameter	Description
Compatible models	R5000-Smn, R5000-Lmn, AUX-ODU-SYNC
Input Voltage	100 - 240 V
Output Voltage & Current	+48 V, 0.5 A
Consumption	24 W
Supported Ethernet Modes	10/100 Mbps
Connectors and Interfaces	<ul style="list-style-type: none"> <li>• "ETH IN" - Ethernet input (Data only)</li> <li>• "ETH OUT" - Ethernet output (Data+VDC)</li> <li>• "PWR" - AC Input</li> </ul>
Pin Assignment and Polarity	<ul style="list-style-type: none"> <li>• "ETH IN": 4, 5, 7, 8 - not connected</li> <li>• "ETH OUT": 4, 5 (+VDC) and 7, 8 (-VDC)</li> </ul>
Lightning protection	<ul style="list-style-type: none"> <li>• IEC61000-4-2 (ESD) ±15kV (air), ±8kV (contact)</li> <li>• IEC61000-4-4 (EFT) 40A (5/50ns)</li> <li>• IEC61000-4-5 (Lightning) 20A (8/20µs)</li> </ul>
Size and Weight	87x78x36,5 mm, 0.15 kg
Operating temperature range	from 0°C to +40°C